

## Fire safes for data storing - combined burglary and fire protection Models "Kopenhagen"

Class I according to European standard PN-EN 1143-1:2006, proved and certified by IMP, Cert. no. P41/347/2009 (3571) & **Fire rating S 120 DIS / EN 1047-1** - fire & impact test performed by University of Gdańsk, Cert. no. P41/346/2009 (3572) checked and certified by IMP

Insurance value: individually up to € 65.000,- and for companies up to € 20.000,- (in case of competent and professional anchoring compliant with attached instruction). Not binding, informational values only, please contact your insurer. Anti-burglary protection class I according to EN 1143-1. Fire protection according to EN 1047-1 S 120 DIS. Approved by IMP. Multi-wall body and door. Door of total thickness 173mm, with all-way locking. Closed with a key lock VdS-class I (standard with 2 keys). Hinges and fittings jutting out 60mm. Various interior options allow for maximum usage of space not only for data storing. Standard option also includes a pedestal 85 mm high and 2 mounting holes in the bottom. Electronic lock instead of a key lock, at extra charge. Colour: RAL 7035 grey



Art. 46762 +  
7 x 46724



Class 1  
EN 1143-1



**S120DIS = 120 min of certified fire protection for data, thanks to special concrete filling and seals. Successful tests – fire test up to 1090°C and impact test from height 9,15 m**



Art. 46721 +  
46722 + 46727



Fire & impact test performed  
by University of Gdańsk



Art. 46762  
with Art. 46727

Art.No.	Model	External dimensions in mm HxWxD incl. 85 mm pedestal	Internal dimensions in mm HxWxD	Number of Shelves (standard)	Number of drawers art. 46724 possible (at extra charge)	Capacity L	Weight kg
46760	KOPENHAGEN	1143 714 662	887 493 388	2	max. 6	170	433,0
46761	KOPENHAGEN	1143 800 730	887 579 456	2	max. 6	234	501,0
46762	KOPENHAGEN	1300 800 730	1044 579 456	3	max. 7	276	560,0
46763	KOPENHAGEN	1456 886 798	1200 665 524	4	max. 8	418	707,0
46721	Electronic lock DFS S Plus (1 master code + 99 user codes), with electronic emergency opening, memory of last 4050 operations, possibility of copying data onto computer (audit) using a software and cable (see art. 46730)						
46722	Electronic lock DFS S (1 master code + 99 user codes), without electronic emergency opening, memory of last 4050 operations, possibility of copy. data onto comp. (audit) using a software and cable (see art. 46730)						
46723	Withdrawable frame for registers						
46724	Drawer on telescopic rails, (with 3 drawers 1 shelf deleted, with 6 drawers 2 shelves deleted)						
46725	Shelf on telescopic rails for registers						
46726	Inner safe 150mm with a cylindrical lock, at extra charge						
46727	Surcharge for metal fittings in silver colour, at extra charge						
46730	CD-ROM and a transmission cable, programming of closing and locking time, lock data reading (4050 events)						
46731	Electronic lock DFS SB (1 master code + 9 user) instead of a key lock						

**Standard version:** High security double-bit key lock (class 1) with two keys (145mm long), Hanging metal handle, protruding for 60mm. Latching mechanism, external hinge, door opening angle 180°, right-side door (left-side door at request without any extra charge), 1 hole in a floor, Paint coating/colour: RAL 7035



# Series "KOPENHAGEN" S120 DIS / Class I

**COLOUR** External dimensions approx. HxWxD (mm)

**COLOUR** Internal dimensions approx. HxWxD (mm)

**COLOUR** Clear dimensions approx. HxWxD (mm)

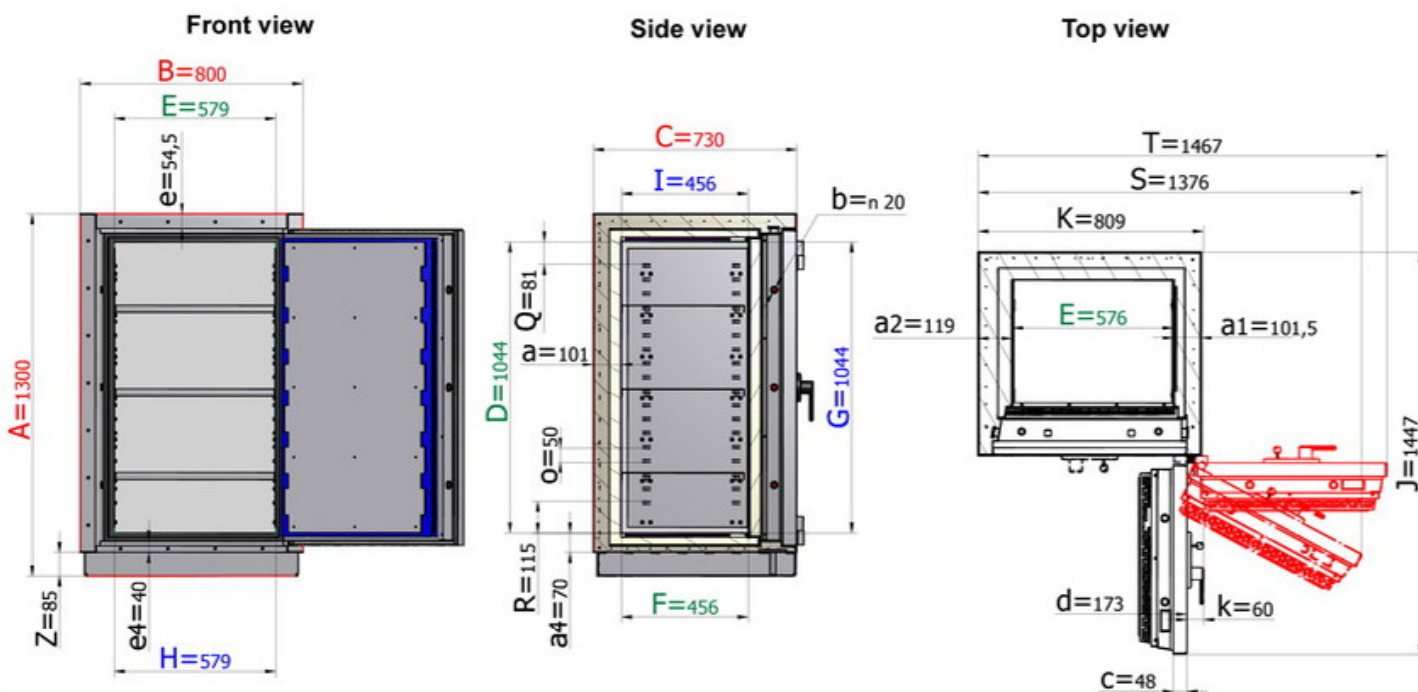
## Dimensions - details [mm]

Art.No.	External height	External width	External depth	Internal height	Internal width	Internal depth	Clear passageway height	Clear passageway width	Clear internal depth (from closed door to back wall)	External depth with door open 90°	External width with door open 90° and a key	Minimum width of the cabinet with door to have a full clear door opening	Total width of the cabinet with door open 180°	Socket height in mm	Boltwork			
															no of locking bolts			Back
	A	B	C	D	E	F	G	H	I	J	K	S	T	Z	Front	Distance mm	Top/ Bottom	
46760	1143	714	662	887	493	388	887	493	388	1293	723	1228	1295	85	3	350	2/2	3
46761	1143	800	730	887	579	456	887	579	456	1447	809	1376	1467	85	3	350	2/2	3
46762	1300	800	730	1044	579	456	1044	579	456	1447	809	1376	1467	85	3	350	2/2	3
46763	1456	886	798	1200	665	524	1200	665	524	1601	895	1524	1639	85	3	350	2/2	3

## Load (in kN 1kN=100kg)

Art.No.	46760	46761	46762	46763
Weight	433kg	501kg	560kg	707kg
Surface	0,47m <sup>2</sup>	0,58m <sup>2</sup>	0,58m <sup>2</sup>	0,7m <sup>2</sup>
Load	9,1kN/m <sup>2</sup>	8,5kN/m <sup>2</sup>	9,5kN/m <sup>2</sup>	10,0kN/m <sup>2</sup>

## Art. 46762 - Standard make



### Legend

Thickness of wall	Thickness of left side wall	Thickness of right side wall	Thickness of top	Bolt diameter	Thickness of door metal plate	Total thickness of door	thickness of the frame	thickness of bottom frame	Jutting of keys/fitings	Distance between holes on the ladder
a	a2	a3	a4	b	c	d	e	e4	k	o
					Distance between top hole on the ladder and upper wall	distance between first bottom hole on the ladder and the base				
					Q	R				

## Series "KOPENHAGEN" S120 DIS / Class I



COLOUR External dimensions approx. HxWxD (mm)

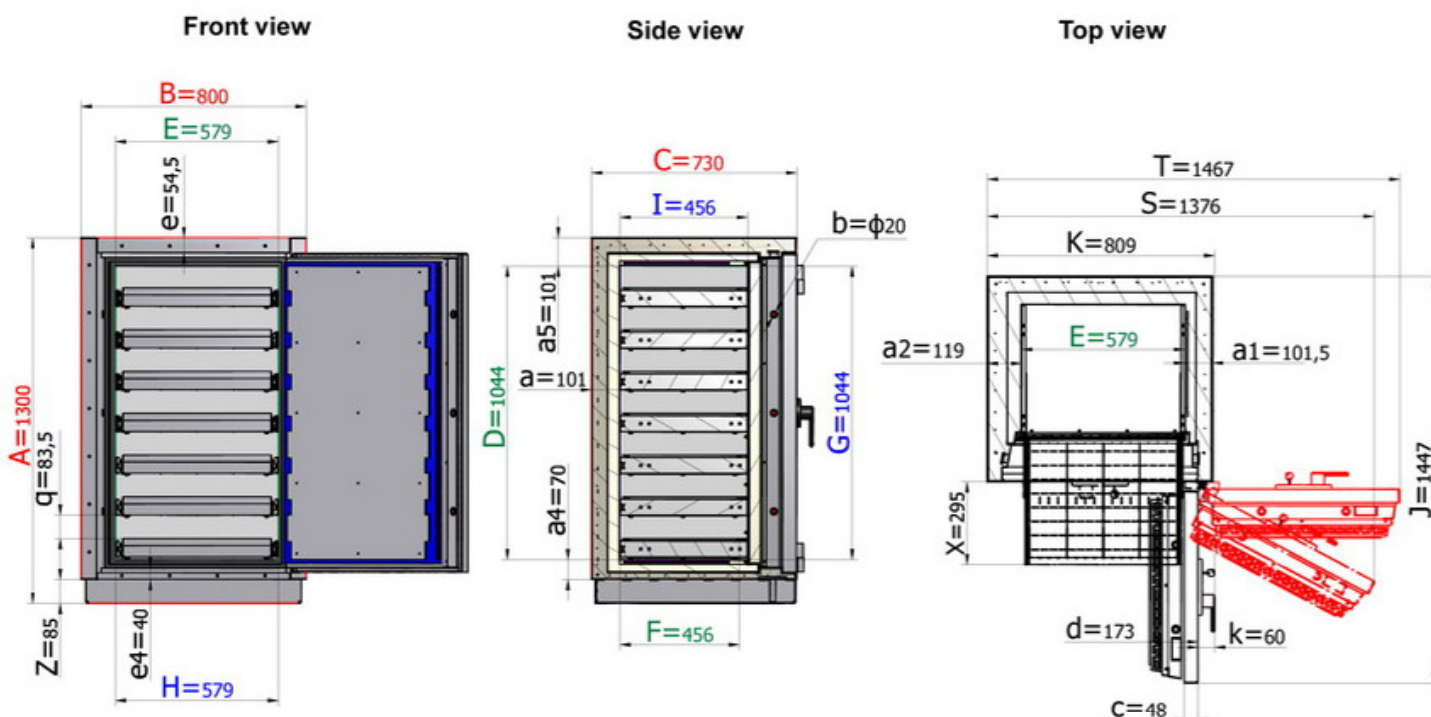
COLOUR Internal dimensions approx. HxWxD (mm)

COLOUR Clear dimensions approx. HxWxD (mm)

## Dimensions - details [mm]

Art.No.	External height	External width	External depth	Internal height	Internal width	Internal depth	Clear passageway height	Clear passageway width	Clear internal depth (from closed door to back wall)	External depth with door open 90°	External width with door open 90° and a key	Minimum width of the cabinet with door to have a full clear door opening	Total width of the cabinet with door open 180°	Space underneath the deposit slot	Socket height in mm	Boltwork			
																no of locking bolts			Back
	A	B	C	D	E	F	G	H	I	J	K	S	T	X	Z	Front	Distance mm	Top/Bottom	
46760	1143	714	662	887	493	388	887	493	388	1293	723	1228	1295	195	85	3	350	2/2	3
46761	1143	800	730	887	579	456	887	579	456	1447	809	1376	1467	295	85	3	350	2/2	3
46762	1300	800	730	1044	579	456	1044	579	456	1447	809	1376	1467	295	85	3	350	2/2	3
46763	1456	886	798	1200	665	524	1200	665	524	1601	895	1524	1639	345	85	3	350	2/2	3

Art. 46762 + art. 46724 x7 - Complete interior (at extra charge)



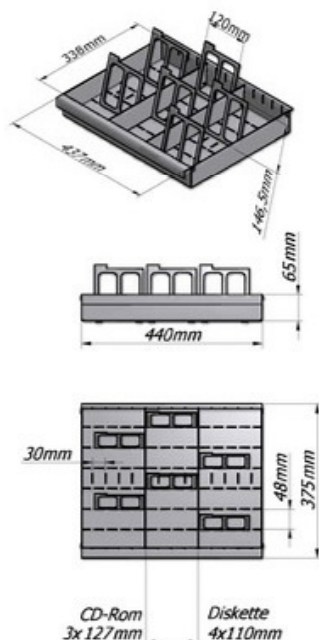
## Legend

Thickness of wall	Thickness of left side wall	Thickness of wall below	Thickness of top	Bolt diameter	Thickness of door metal plate	Total thickness of door	thickness of the frame	thickness of bottom frame	Jutting of keys/fitings	Distance between holes on the ladder	Distance between drawers
a	a2	a4	a5	b	c	d	e	e4	k	o	q

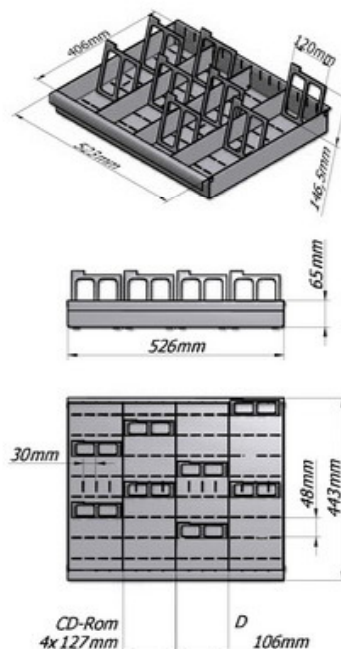
Place for data carriers

Art. No.	Number of drawers art. 46724 (at extra charge)	CD-ROM 140x125x5 mm	Discette 3 1/2" 88x88x3 mm	Streamer Tapes 162x107x25 mm	DLT cartridge 112x112x32 mm	Giga-Tape 4 81x60x16 mm	Giga-Tape 8 102x68x20 mm	Optical Disc 3 1/2" 94x90x6 mm	Mikrofilm cartridge 100x100x25 mm	Megastar 137x59x16,5 mm	LTO 105x102x22 mm	Effective rest place under Drawers
Number of data carriers												
46760	1 drawer	191	426	25	29	140	91	213	49	133	57	739 mm
46761		308	641	46	46	190	133	318	76	182	86	739 mm
46762		308	641	46	46	190	133	318	76	182	86	896 mm
46763		357	895	51	67	248	175	445	86	266	100	1052 mm
46760	2 drawers	382	851	49	57	279	182	426	99	266	114	591 mm
46761		616	1283	91	91	380	266	637	152	365	171	591 mm
46762		616	1283	91	91	380	266	637	152	365	171	748 mm
46763		714	1790	103	133	496	350	889	171	532	200	904 mm
46760	3 drawers	573	1277	74	86	419	274	638	148	399	171	443 mm
46761		923	1924	137	137	570	399	955	228	547	257	443 mm
46762		923	1924	137	137	570	399	955	228	547	257	600 mm
46763		1072	2685	154	200	744	524	1334	257	798	299	756 mm
46760	4 drawers	764	1702	99	114	559	365	851	198	532	228	295 mm
46761		1231	2565	182	182	760	532	1273	304	730	342	295 mm
46762		1231	2565	182	182	760	532	1273	304	730	342	452 mm
46763		1429	3580	205	266	992	699	1778	342	1064	399	608 mm
46760	5 drawers	955	2128	124	143	698	456	1064	247	665	285	147 mm
46761		1539	3206	228	228	950	665	1591	380	912	428	147 mm
46762		1539	3206	228	228	950	665	1591	380	912	428	304 mm
46763		1786	4475	257	333	1240	874	2223	428	1330	499	460 mm
46760	6 drawers	1146	2554	148	171	838	547	1277	296	798	342	-
46761		1847	3848	274	274	1140	798	1910	456	1094	513	-
46762		1847	3848	274	274	1140	798	1910	456	1094	513	156 mm
46763		2143	5369	308	399	1488	1049	2668	513	1596	599	312 mm
46760	7 drawers	-	-	-	-	-	-	-	-	-	-	-
46761		-	-	-	-	-	-	-	-	-	-	-
46762		2155	4489	319	319	1330	931	2228	532	1277	599	-
46763		2500	6264	359	466	1736	1224	3112	599	1862	698	164 mm
46760	8 drawers	-	-	-	-	-	-	-	-	-	-	-
46761		-	-	-	-	-	-	-	-	-	-	-
46762		-	-	-	-	-	-	-	-	-	-	-
46763		2858	7159	410	532	1984	1398	3557	684	2128	798	-

Drawer- art. 46724 in art. 46760



Drawer- art. 46724 in art. 46761 & 46762



Drawer- art. 46724 in art. 46763

